

Drawing No.

NP 428.1

Sheet 1 of 2

Related Drawing

P 667

Before using this drawing, confirm that it has not been superseded.

© CROWN COPYRIGHT

NOTES: 1. The legend is from the Transport Heavy Alphabet at the x-height shown.

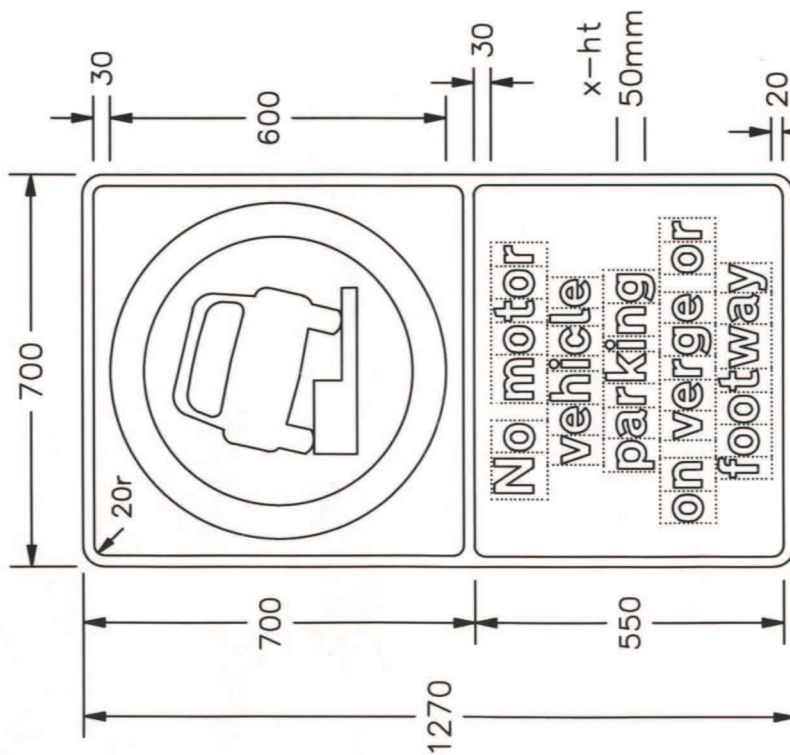
2. The tile outlines do not form part of the signs.

3. COLOURS : Backgrounds ----- WHITE

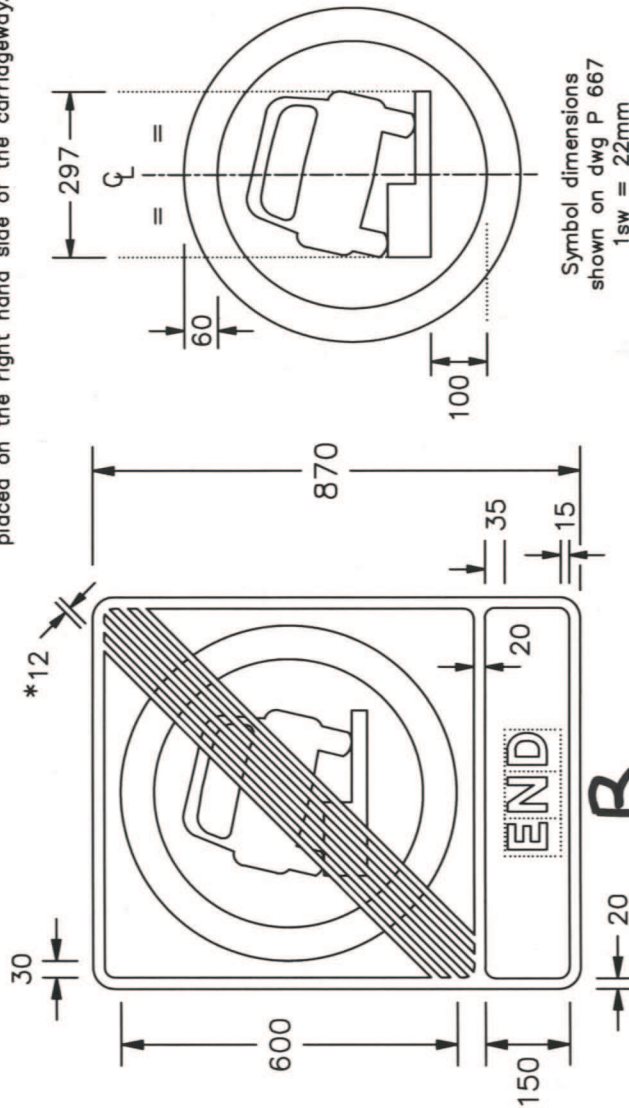
Start\_Sign Legend, Border & Symbol ----- BLACK Roundel ----- RED

End\_Sign Legend, Border & Cancellation Bars ----- BLACK Roundel & Symbol ----- GREY

4. The symbol shall be reversed when the signs are placed on the right hand side of the carriageway.



\* This dimension also applies to the width of each gap between the diagonal bars



Symbol dimensions shown on dwg P 667 1sw = 22mm

**B**

**A**

NP428x1

Title:

Regulatory Signs

START AND END OF FOOTWAY PARKING PROHIBITION

Issue: Date:

A: 16.6.05

B: 18.2.11

C:

Drawn by:

A.K.

Approved by:

J.B.

Dimensions:

MILLIMETRES

Drawing No.

NP 428.1

Sheet 1 of 2

Drawing No.

NP 428.1

Sheet 2 of 2

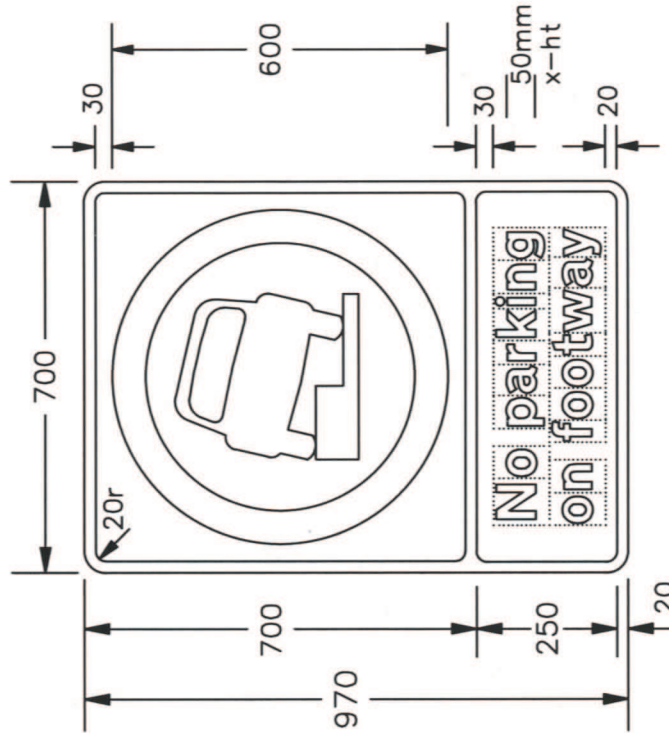
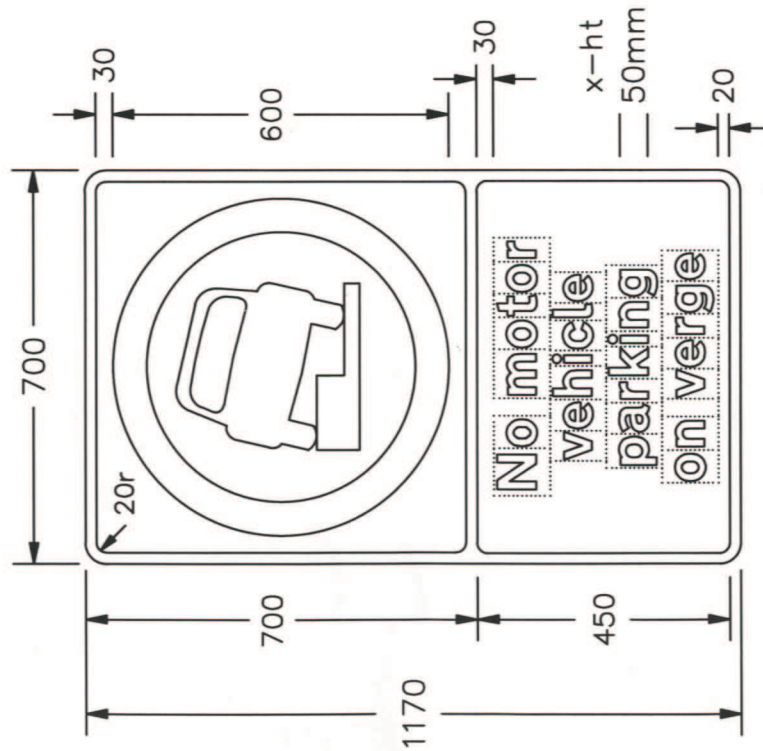
Related Drawing

P 667

Before using this drawing, confirm that it has not been superseded.

© CROWN COPYRIGHT

- NOTES: 1. The legend is from the Transport Heavy alphabet.  
 2. The tile outlines do not form part of the signs.  
 3. COLOURS : Backgrounds ----- WHITE  
 Start Sign Legend, Border & Symbol ----- BLACK  
 Roundel ----- RED  
 4. The symbol shall be reversed when the signs are placed on the right hand side of the carriageway.



NP428x2

Department for  
**Transport**

Title:

Regulatory Signs

START AND END OF  
FOOTWAY PARKING PROHIBITION

Issue: Date:

A: 16.6.05  
B: 18.2.11  
C:

Drawn by:

A.K.

Approved by:

J.B.

Dimensions:

MILLIMETRES

Drawing No.

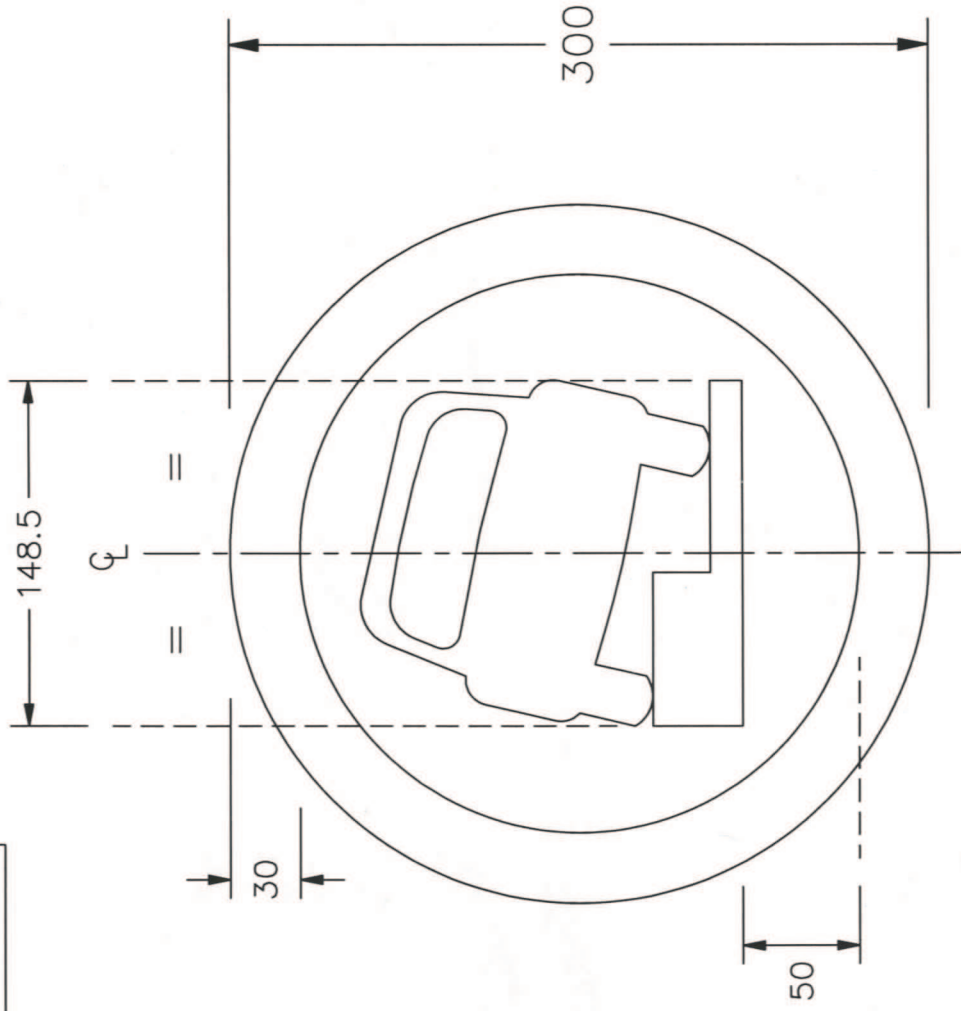
NP 428.1

Sheet 2 of 2

© CROWN COPYRIGHT

NOTES: 1. COLOURS : Background --- WHITE  
Symbol ----- BLACK  
Border - - - - - RED

2. The symbol shall be reversed when the signs are placed on the right hand side of the carriageway.



Symbol dimensions shown on dwg P 667  
1sw = 11mm

Before using this drawing, confirm that it has not been superseded.

Related Drawing P 667

Drawing No. NP 428.2

NP428x2

<b>Department for Transport</b>	Title: Regulatory Sign <b>FOOTWAY PARKING PROHIBITION REPEATER SIGN</b>	Issue: A: 5.7.05 B: C:	Date: 5.7.05	Drawn by: R.M. Approved by: R.M.	Dimensions: MILLIMETRES	Drawing No. NP 428.2
		Before using this drawing, confirm that it has not been superseded.				

This page is intentionally left blank